

POWERHOUSE MX™

TIMING PULLEYS

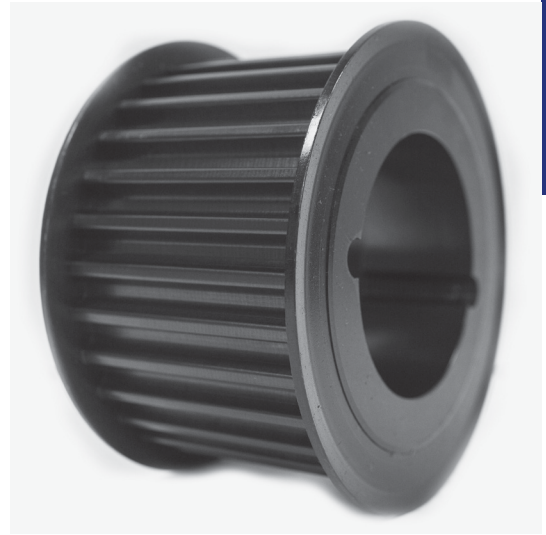
(Compatible with Poly Chain® GT® Carbon belts)

14 mm Pitch

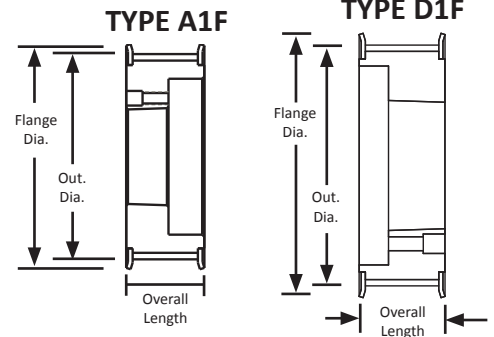
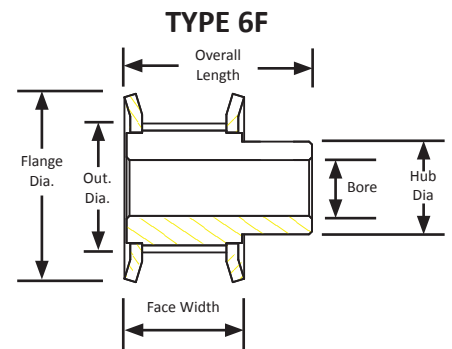
For 68 mm Wide Belts

Iron

Black Oxide Plating



Part Number	No. of Teeth	Type	Pitch Dia. (in)	Out. Dia. (in)	Flange Dia. (in)	Bore/Bushing	Face Width (in)	Overall Length (in)
28-14MX68-6FS10	28	6F	4.912	4.802	5.562	1.000	3.328	4.125
29-14MX68-2517	29	A1F	5.088	4.978	5.562	2517	3.328	3.328
29-14MX68-6FS10	29	6F	5.088	4.978	5.562	1.000	3.328	4.125
30-14MX68-2517	30	A1F	5.263	5.153	5.763	2517	3.328	3.328
30-14MX68-6FS10	30	6F	5.263	5.153	5.763	1.000	3.328	4.125
31-14MX68-2517	31	A1F	5.439	5.329	6.124	2517	3.328	3.328
31-14MX68-6FS10	31	6F	5.439	5.329	6.124	1.000	3.328	4.125
32-14MX68-2517	32	A1F	5.614	5.504	6.124	2517	3.328	3.328
32-14MX68-6FS10	32	6F	5.614	5.504	6.124	1.000	3.328	4.125
33-14MX68-2517	33	A1F	5.790	5.680	6.465	2517	3.328	3.328
33-14MX68-6FS10	33	6F	5.790	5.680	6.465	1.000	3.328	4.328
34-14MX68-2517	34	A1F	5.965	5.855	6.465	2517	3.328	3.328
34-14MX68-6FS10	34	6F	5.965	5.855	6.465	1.000	3.328	4.328
35-14MX68-3020	35	A1F	6.141	6.031	6.816	3020	3.328	3.328
36-14MX68-3020	36	A1F	6.316	6.206	6.816	3020	3.328	3.328
37-14MX68-3020	37	A1F	6.492	6.382	7.167	3020	3.328	3.328
38-14MX68-3020	38	A1F	6.667	6.557	7.167	3020	3.328	3.328
39-14MX68-3020	39	A1F	6.842	6.732	7.518	3020	3.328	3.328
40-14MX68-3020	40	A1F	7.018	6.908	7.518	3020	3.328	3.328
43-14MX68-3020	43	A1F	7.544	7.434	8.395	3020	3.328	3.328
45-14MX68-3020	45	A1F	7.895	7.785	8.395	3020	3.328	3.328
48-14MX68-3525	48	A1F	8.421	8.311	8.941	3525	3.328	3.328
50-14MX68-3525	50	A1F	8.772	8.662	9.292	3525	3.328	3.328
53-14MX68-3525	53	A1F	9.299	9.189	9.687	3525	3.328	3.328
56-14MX68-3525	56	A1F	9.825	9.715	10.355	3525	3.328	3.328
60-14MX68-3525	60	A1F	10.527	10.417	11.067	3525	3.328	3.328
63-14MX68-3525	63	A1F	11.053	10.943	11.750	3525	3.328	3.328
67-14MX68-3525	67	D1F	11.755	11.645	12.500	3525	3.328	3.328
71-14MX68-3525	71	D1F	12.457	12.347	13.187	3525	3.328	3.328
75-14MX68-3525	75	D1F	13.158	13.048	13.730	3525	3.328	3.328



For matching 14MX pitch belts,
see page 248.